

5mm SMD ISOLATOR

RF component

Datasheet Rev.: C
Date: 2023.08.30

Customer:

Product Name:

DP-IL0520A3700
DP-IL0520B3700

Customer P/N:



GuangdongDapuTelecomTechnologyCo.,Ltd Building5, No.24, Gongye East Road,
<http://www.dptel.com> SSL Sci & Tech Industry Park,
Dongguan, Guangdong, China
TEL: 0086-0769-88010888
FAX: 0086-0769-81800098

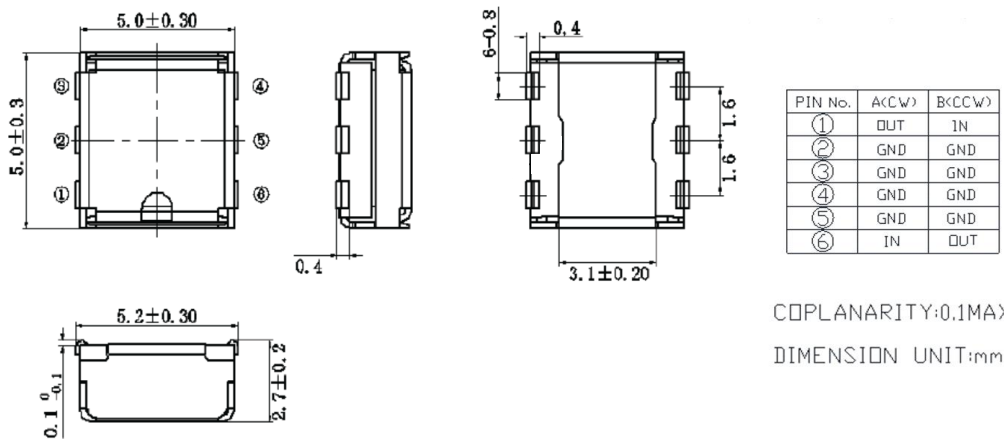
Approved	Checked	Designer
Nick	Wison	ZC.Wu

5mm SMD ISOLATOR

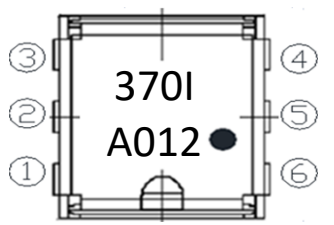
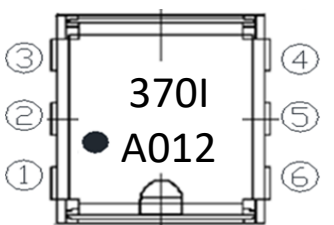
RF component

Datasheet Rev.: C
 Date: 2023.08.30

MECHANICAL SPECIFICATION



MARKING

Clockwise DP-IL0520A3700	CounterClockwise DP-IL0520B3700	①/⑥ : Out/In Port ②~⑤: Ground
		<p>I: Isolator A: Year 01: Week of Year 2: Day of Week ●: Input Port</p>

Year Code	
Year	Code
2019	A
2020	B
2021	C
2022	D
2023	E
2024	F
...	...

Week Code	
Week	Code
1	01
2	02
3	03
4	04
5	05
6	06
...	...

Day Code	
Day	Code
Monday	1
Tuesday	2
Wednesday	3
Thursday	4
Friday	5
Saturday	6
Sunday	7

5mm SMD ISOLATOR

RF component

Datasheet Rev.: C
 Date: 2023.08.30

TEMPERATURE RANGE

Operating temperature range : -40~+85°C
 Storage temperature range:-40~+125°C

ELECTRICAL CHARACTERISTICS

Parameter	Unit	Frequency (MHz)		DP Spec		
				Min.	Typ.	Max.
Frequency range	MHz	3600		3800		3800
Insertion Loss (+25±5°C)	dB					0.80
Insertion Loss (-40~+85°C)	dB					0.90
Isolation (+25±5°C)	dB				14.5	
Isolation (-40~+85°C)	dB				13	
Return Loss (+25±5°C)	dB				14.5	
Return Loss (-40~+85°C)	dB				13	
IMD3 (2*25dBm, Span 5MHz)	dBc					-60
IMD3 typical	dBc					-68
Power Handing (Average)	W					5
Power Handing (Peak)	W					10
Reflection power	W					2
Characteristic Impedance (ohm)	Ω					50
Case Style	-					SMD

NOTES

1. Recommend to keep 30mm above when mounted with other magnetic products.
2. RoHS compliance.
3. Isolator's characteristics are guaranteed at conditions listed at above table and it's operating temperature range.

5mm SMD ISOLATOR

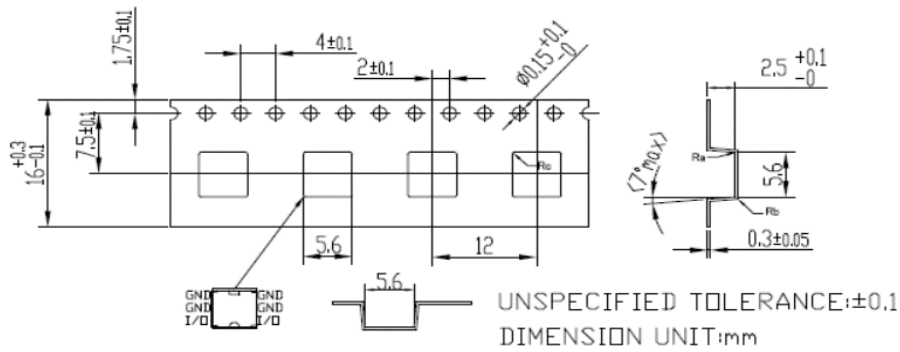
RF component

Datasheet Rev.: C
 Date: 2023.08.30

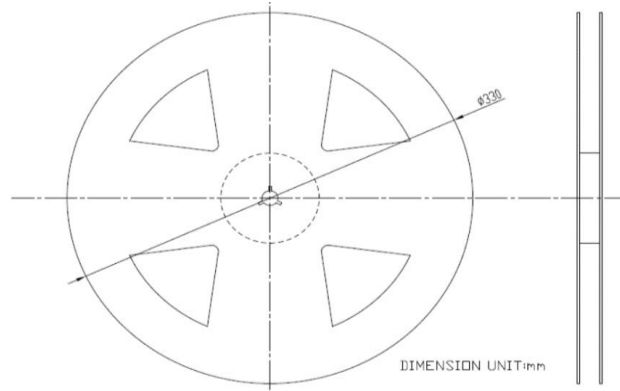
PACKING STYLE

REEL DIMENSIONS

Reel side \longrightarrow Pulling side



TAPE DIMENSIONS



PACKAGE QUANTITY

1400 PCS/REEL

5mm SMD ISOLATOR

RF component

Datasheet Rev.: C
 Date: 2023.08.30

Revision Records

Rev.	Date	PIC	Change item	Reasons for change
A	2022.12.28	ZC.Wu	New regulations	
B	2023.06.05	ZZ.Zhu	Update tag	
C	2023.08.30	ZZ.Zhu	Update tag	
D				
E				
F				
G				
H				