

# 5mm SMD ISOLATOR

RF component

Datasheet Rev.:           D            
Date:           2023.08.08          

**Customer:**

**Product Name:**

DP-IL0520A1618

**Customer P/N:**



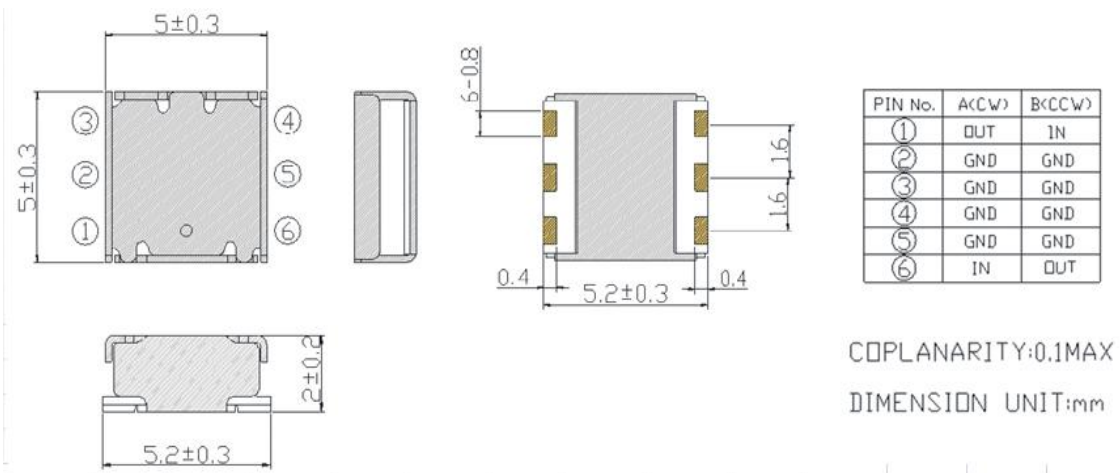
GuangdongDapuTelecomTechnologyCo.,Ltd Building5, No.24, Gongye East Road,  
<http://www.dptel.com> SSL Sci & Tech Industry Park,  
Dongguan, Guangdong, China  
TEL: 0086-0769-88010888  
FAX: 0086-0769-81800098

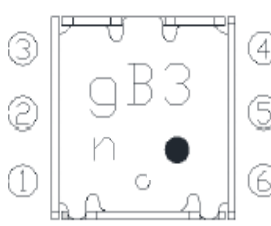
Approved	Checked	Designer
Nick	Wison	ZC.Wu

# 5mm SMD ISOLATOR

RF component

Datasheet Rev.:           D            
 Date:           2023.08.08          

**MECHANICAL SPECIFICATION**

**MARKING**

Clockwise <b>DP-IL0520A1618</b>	①/⑥ : Out/In Port ②~⑤: Ground g: Year/ Month of Production B: Week of Production 3: Day of Production ●: Input Port n: Frequency
	

Year/Month Code											
Year	Month	Code	Year	Month	Code	Year	Month	Code	Year	Month	Code
	1	a		1	n		1	A		1	N
	2	b		2	p		2	B		2	P
	3	c		3	q		3	C		3	Q
	4	d		4	r		4	D		4	R
	5	e		5	s		5	E		5	S
2022	6	f	2023	6	t	2024	6	F	2029	6	T
2026	7	g	2027	7	u	2028	7	G	2033	7	U
2030	8	h	2031	8	v		8	H		8	V
	9	j		9	w		9	J		9	W
	10	k		10	x		10	K		10	X
	11	l		11	y		11	L		11	Y
	12	m		12	z		12	M		12	Z

Week Code	
Week	Code
1	A
2	B
3	C
4	D
5	E

Day Code	
Day	Code
Monday	1
Tuesday	2
Wednesday	3
Thursday	4
Friday	5
Saturday	6
Sunday	7

# 5mm SMD ISOLATOR

RF component

Datasheet Rev.:           D            
 Date:           2023.08.08          

## TEMPERATURE RANGE

Operating temperature range: -40~+125°C

Storage temperature range: -55~+125°C

## ELECTRICAL CHARACTERISTICS

Parameter	Unit	Frequency (MHz)		DP Spec			
				Min.	Typ.	Max.	
Frequency range	MHz	1610		1626	1610		1626
Insertion Loss <+15~+35°C>	dB	-		-			0.60
Insertion Loss <-40~+85°C>	dB						0.65
Insertion Loss <+85~+125°C>	dB						0.70
Isolation <+15~+35°C>	dB	-		-	15		
Isolation <-40~+85°C>	dB				14		
Isolation <+85~+125°C>	dB				13		
VSWR <+15~+35°C>	:						1.25
VSWR <-40~+85°C>	:						1.30
VSWR <+85~+125°C>	:	-		-			1.60
Power Handling	W						10
Reflection power	W						2
Characteristic Impedance (ohm)	Ω					50	
Case Style	-					SMD	

## NOTES

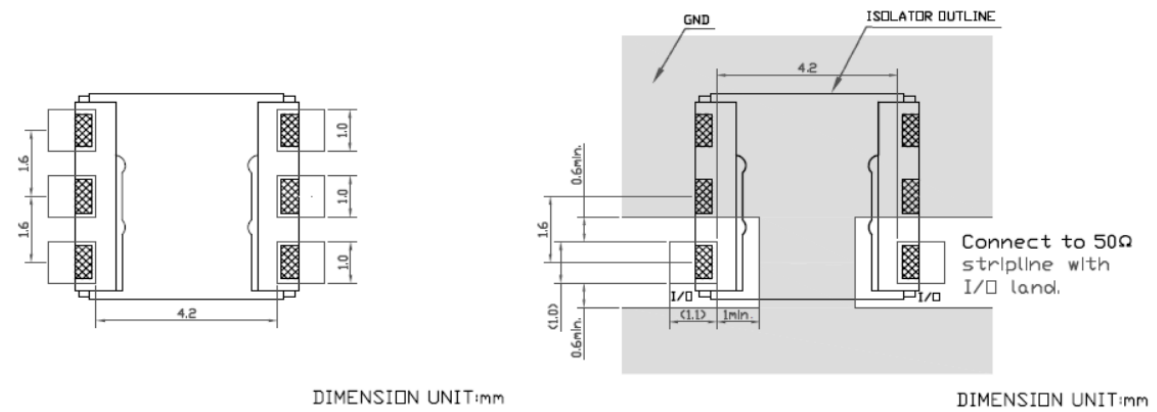
1. Recommend to keep 30mm above when mounted with other magnetic products.
2. RoHS compliance.
3. Isolator's characteristics are guaranteed at conditions listed at above table and it's operating temperature range.

# 5mm SMD ISOLATOR

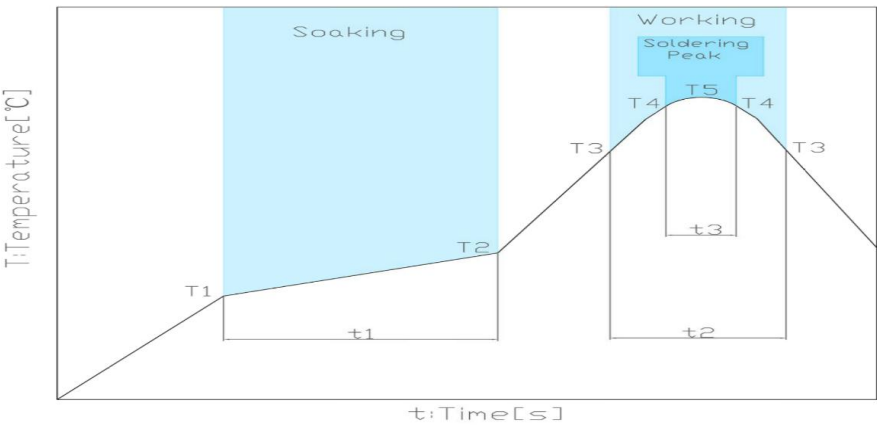
RF component

Datasheet Rev.:           D            
 Date:           2023.08.08          

### RECOMMENDED LAND PATTERN



### RECOMMENDED REFLOW PROFILE



Soaking			Working		Soldering Peak		
Temp.	T2	Time	Temp.	Time	Temp.	Time	Temp.
150°C	180°C	t1	230°C	t2	250°C	t3	260°C max.

# 5mm SMD ISOLATOR

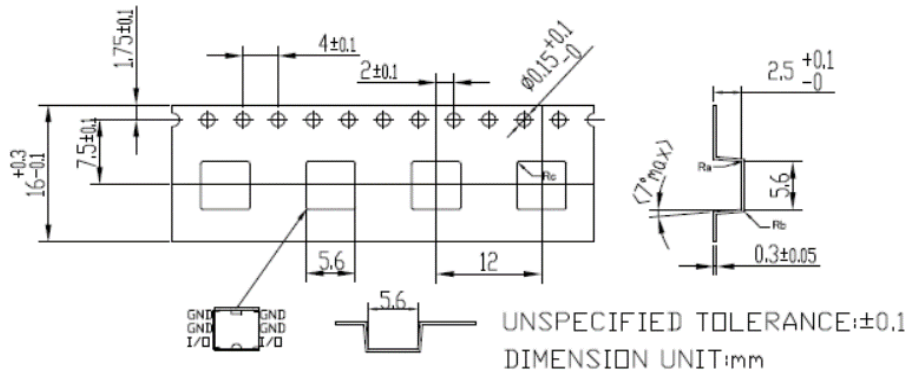
RF component

Datasheet Rev.:           D            
 Date:           2023.08.08          

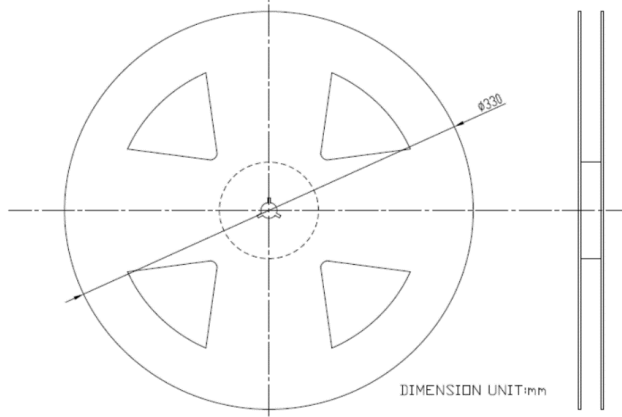
## PACKING STYLE

### REEL DIMENSIONS

Reel side  $\longrightarrow$  Pulling side



### TAPE DIMENSIONS



### PACKAGE QUANTITY

2000 PCS/REEL

# 5mm SMD ISOLATOR

RF component

Datasheet Rev.:         D          
 Date:         2023.08.08        

## Revision Records

Rev.	Date	PIC	Change item	Reasons for change
A	2021.06.24	Nina	New regulations	
B	2022.06.30	ZC.Wu	Dimension and marking	
C	2022.06.30	ZC.Wu	Improving the operating temperature range from -40~+85℃ to -40~+125℃	
D	2023.08.08	ZC.Wu	Update Dimension (total height changed from 2.4 to 2.0) and marking	
F				
G				
H				