

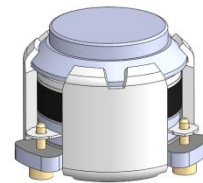


## DP0366C

### ENG PART: DP-7.2CM-3400T3600-CCW

3400MHz to 3600MHz Single-Junction Surface Mount Circulator

REV.	DESCRIPTION	REVISOR	DATE	APPROVED
A	Creating datasheet	Jie.Jiang	2020/11/27	Nick
B	1. 2nd harmonic changed from 30 to 20; 2. Input impedance added test condition @25°C	ZC.Wu	2020/12/28	Nick
C	Update the label	ZZ.Zhu	2023/8/1	Nick

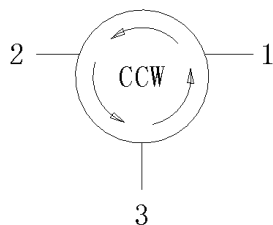


#### Applications:

- Wireless Infrastructure
- Power Amplifier

#### Features:

- Operating frequency range: 3400MHz to 3600MHz
- Operating temperature range: -40°C to +125°C
- Storage temperature range: -55°C to +150°C
- Small surface-mount package delivered on T&R
- BeO free & RoHS compliant



Block Diagram



**Electrical Specifications:**

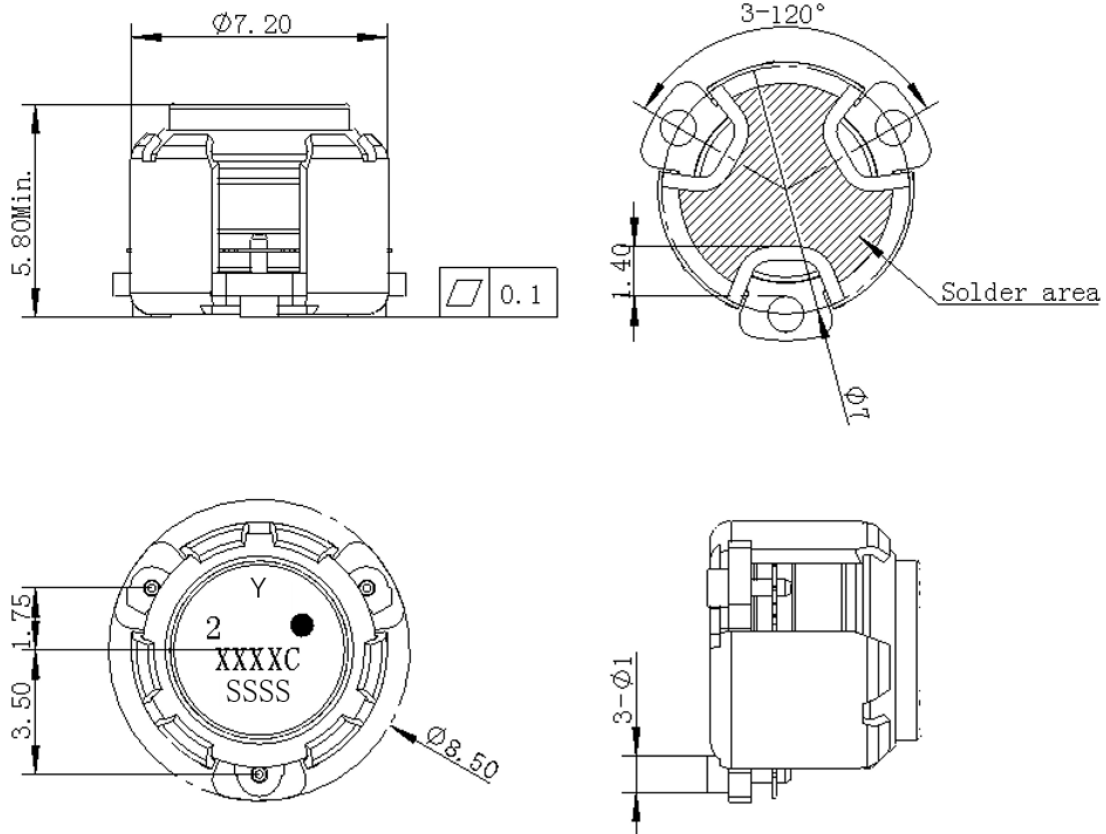
ITEM	SPECIFICATION	
Frequency	3400~3600	MHz
Direction	CCW	
Impedance	Typ: 50	$\Omega$
Insertion Loss (Max.)	0.28@25±10°C 0.30@-40~+85°C 0.33@+85~+125°C	dB
Isolation (Min.)	22@25±10°C 20@-40~+85°C 18@+85~+125°C	dB
Return Loss (Min.)	22@25±10°C 20@-40~+85°C 18@+85~+125°C	dB
3rd IMD (Max.)	-60@2x20W CW tones, 1MHz spacing	dBc
Group delay	/	ns
2nd harmonic	20	dBc
3rd harmonic	10	dBc
Power FWD/REV/PEAK	40/ 40/250	W
Termination/Attenuator	/	W/dB
Out Band Resonance	/	
Input Impedance ,real @25°C	3.3G>50 3.4G<50 3.6G<50 3.7G>50	$\Omega$
Input Impedance ,imaginary @25°C	3.3G<0 3.4G<0 3.6G>0 3.7G>0	j $\Omega$

Notes:

1. Exposure to maximum rating conditions for extended periods may reduce device reliability. There is no damage to device with only one parameter set at the limit and all other parameters set at or below their nominal value. Exceeding any of the limits listed here may result in permanent damage to the device.
2. Performance is guaranteed under the conditions listed in this table and over the operating temperature range.



### Mechanical Specifications:



Unit: Millimeters

#### Notes:

1. The housing and pins are silver-plated.
2. Tolerance  $\pm 0.2\text{mm}$  unless otherwise specified.
3. Co-planarity Specification: 0.1mm maximum.
4. Part Number, Lot Code, and Port Designation are printed on the top side of device
5. The "Y" show on the label represents the producing year, when printing the producing year, A stands for 2022, B for 2023, C for 2024, and so on (reference DP's file WDPT PD-003).
6. The **XXXXC** on the label represents the last five digits of the Part Number.
7. The **SSSS** on the label represents the serial number
8. The black dot on the label represents the input port



Packaging Style:

ITEM	W	A0	B0	C0	K0	D	E	F	F2	P	P0	P2	T
DIM	24	Φ7.4	9.2	2.7	6.5	Φ1.5	1.75	11.5	-	20	4	2	0.5
TOLE	±0.2	±0.2	±0.2	±0.2	±0.15	+0.1	±0.1	±0.15	±0.1	±0.1	±0.1	±0.1	±0.05

