

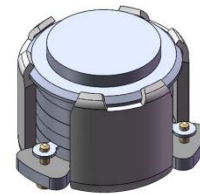


DP0241C

ENG PART:DP-7.2CM-3400T3600-CW

3400MHz to 3600MHz Single-Junction Surface Mount Circulator

REV.	DESCRIPTION	REVISOR	DATE	APPROVED
A		ZC.Wu	2020/05/12	Nick
B	Updated the label format	ZC.Wu	2020/09/09	Nick
C	Updated the spec. and the label	ZC.Wu	2020/09/21	Nick
D	Updated the spec.	ZC.Wu	2020/12/16	Nick
E	Updated the label	ZZ.Zhu	2023/8/1	NICK

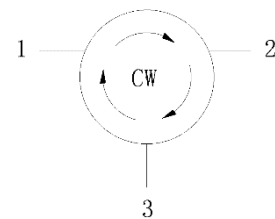


Applications:

- Wireless Infrastructure
- Power Amplifier

Features:

- Operating frequency range: 3400MHz to 3600MHz
- Operating temperature range: -40°C to +110°C
- Storage temperature range: -40°C to +125°C
- Small surface-mount package delivered on T&R
- BeOfree&RoHS compliant



Block Diagram

**Electrical Specifications:**

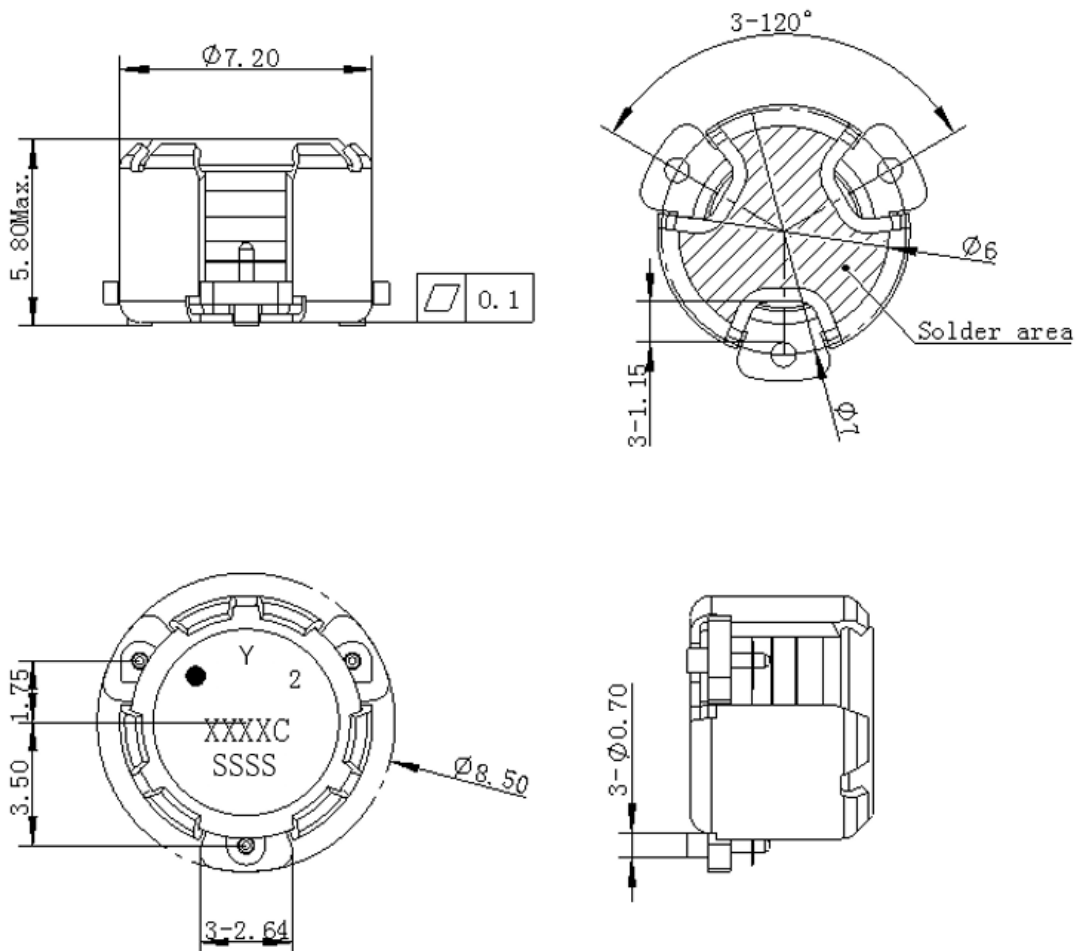
ITEM	SPECIFICATION	
Frequency	3400~3600	MHz
Direction	CW	
Impedance	Typ: 50	Ω
Insertion Loss	0.3 Max. 0.5 Type @ Ericsson PCB	dB
Isolation	20 Min. 20 Type @ Ericsson PCB	dB
Return Loss (S22)	22 Min. 22 Type @ Ericsson PCB	dB
Return Loss (S11)	Real: 48-50ohm Imag -3j +3j (3400MHz, 3600MHz) Real: 49-51ohm Imag -3j +3j (3500MHz) Type @ Ericsson PCB	Ω
3rd IMD (Max.)	-60@2x5W CW tones, 1MHz spacing	dBc
3rd IMD (Max.)	-55@2x10W CW tones, 1MHz spacing	dBc
Group delay	2	ns
2nd harmonic attenuation	15	dB
3rd harmonic attenuation	10	dB
Nx harmonic attenuation	5	dB
2nd Harmonic suppression (Max.)	-60@20W CW	dBc
3rd Harmonic suppression (Max.)	-60@20W CW	dBc
Power FWD/REV/PEAK	30/30/150	W
Termination/Attenuator	/	W/dB
Reciprocity	-0.05~+0.05 @Delta(S21 / S32) within any 10 °C temperature range	dB
Reciprocity	-1~+1 @Delta(S21 / S32) within any 10 °C temperature range	Deg

Notes:

1. Exposure to maximum rating conditions for extended periods may reduce device reliability. There is no damage to device with only one parameter set at the limit and all other parameters set at or below their nominal value. Exceeding any of the limits listed here may result in permanent damage to the device.
2. Performance is guaranteed under the conditions listed in this table and over the operating temperature range.



Mechanical Specifications:



Unit: Millimeters

Notes:

1. The housing and pins are silver-plated.
2. Tolerance ± 0.2 mm unless otherwise specified.
3. Co-planarity Specification: 0.1mm maximum.
4. Part Number, Lot Code, and Port Designation are printed on the top side of device
5. The "Y" show on the label represents the producing year, when printing the producing year, A stands for 2022, B for 2023, C for 2024, and so on (reference DP's file WDPT PD-003).
6. The **XXXXC** on the label represents the last five digits of the Part Number.
7. The SSSS on the label represents the serial number
8. The black dot on the label represents the input port



Packaging Style:

ITEM	W	A0	B0	C0	K0	D	E	F	F2	P	P0	P2	T
DIM	24	Φ7.4	9.2	2.7	6.0	Φ1.5	1.75	11.5	-	20	4	2	0.5
TOLE	±0.2	±0.2	±0.2	±0.2	±0.2	+0.1	±0.1	±0.15	±0.1	±0.1	±0.1	±0.1	±0.05

