

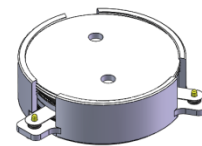


DP2727C

ENG PART: DP-28.4CM-758T960-CW

758MHz to 960MHz Single-Junction Surface Mount Circulator

REV.	DESCRIPTION	REVISOR	DATE	APPROVED
A	SAME AS REV.1	ZC.Wu	2023/7/27	Nick

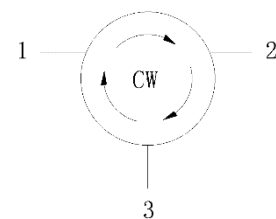


Applications:

- Wireless Infrastructure
- Power Amplifier

Features:

- Operating frequency range: 758MHz to 960MHz
- Operating temperature range: -40°C to +105°C
- Storage temperature range: -50°C to +130°C
- BeO free & RoHS compliant



Block Diagram



Electrical Specifications:

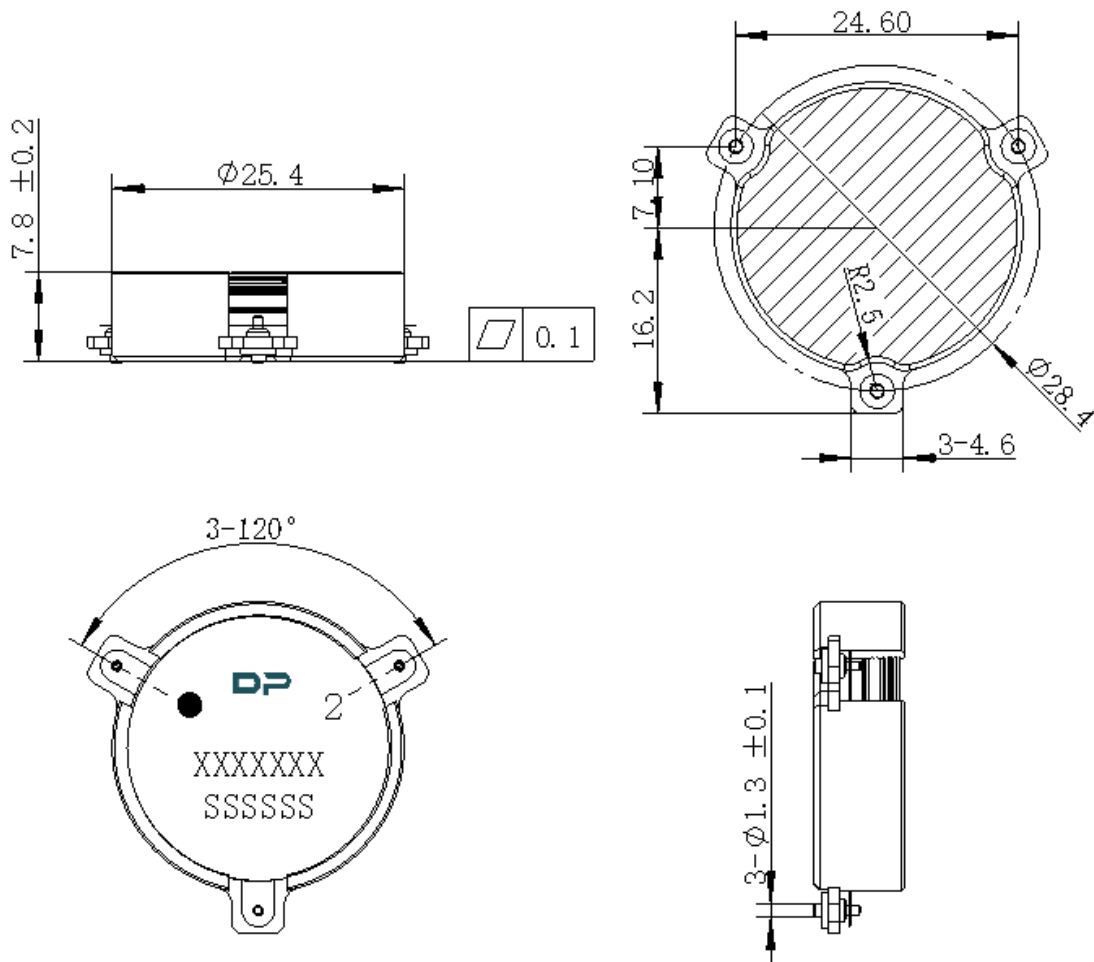
ITEM	SPECIFICATION	
Frequency	758~960	MHz
Extend frequency	658-1060	MHz
Direction	CW	
Impedance	Typ: 50	Ω
Insertion Loss (Max.)	0.35@25 \pm 5 $^{\circ}$ C 0.40@-40~+120 $^{\circ}$ C	dB
Isolation (Min.)	19@25 \pm 5 $^{\circ}$ C 17.0@-40~+120 $^{\circ}$ C 7.0@658-1060MHz	dB
Return Loss (Min.)	19@25 \pm 5 $^{\circ}$ C 17.0@-40~+120 $^{\circ}$ C	dB
Power FWD/REV/PEAK	150/-/1000	W
IMD (Max.)	-60@2X50W, cw tones spacing 1MHz	dBc
2nd harmonic	12	dB
3rd harmonic	22	dB
Out Band Resonance	658-1020 MHz	-
Input Impedance ,real	39~65	Ω
Input Impedance ,imaginary	-14j~+14j	Ω
Output Impedance ,real	39~65	Ω
Output Impedance ,imaginary	-14j~+14j	Ω
Termination/Attenuator	-	W/dB

Notes:

1. Exposure to maximum rating conditions for extended periods may reduce device reliability. There is no damage to device with only one parameter set at the limit and all other parameters set at or below their nominal value. Exceeding any of the limits listed here may result in permanent damage to the device.
2. Performance is guaranteed under the conditions listed in this table and over the operating temperature range.



Mechanical Specifications:



Unit: Millimeters

Notes:

1. The housing and pins are silver-plated.
2. Tolerance ± 0.2 mm unless otherwise specified.
3. Co-planarity Specification: 0.1 mm maximum.
4. Part Number, Lot Code, and Port Designation are printed on the top side of device.
5. The **XXXXXXX** on the label represents the part number
6. The **SSSSSS** on the label represents the serial number
7. The black dot on the label represents the input port